

# MZD100

electropneumatic valve



Zator  
gluing solutions

DATASHEET





## TECHNICAL DESCRIPTION

The electropneumatic extrusion valve MZD100 has been designed and realized for its use on various kind of production machines: its design and versatility make it ideal for any applications that require the use of extrusion valves.

It's a dispenser of low and medium viscosity glues, adhesives and fluids with solenoid valve, micrometric adjustment and drive with simple action piston.

The valve, with anti-stick coating, has a carbide needle and a wide selection of stainless steel nozzles, designed to meet the different needs of applications.

The micrometric adjustment allows a fine control of the glue quantity dispensed.

### APPLICATION FIELDS

- | packaging
- | paper converting
- | case maker
- | wood industry
- | assembly
- | food industry

### FLUID TYPES

- | adhesives and glues
- | inks
- | paints
- | lubricants
- | low, medium and high viscosity fluids

## TECHNICAL DATA

### technical data

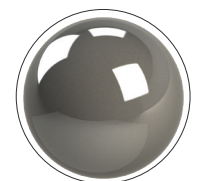
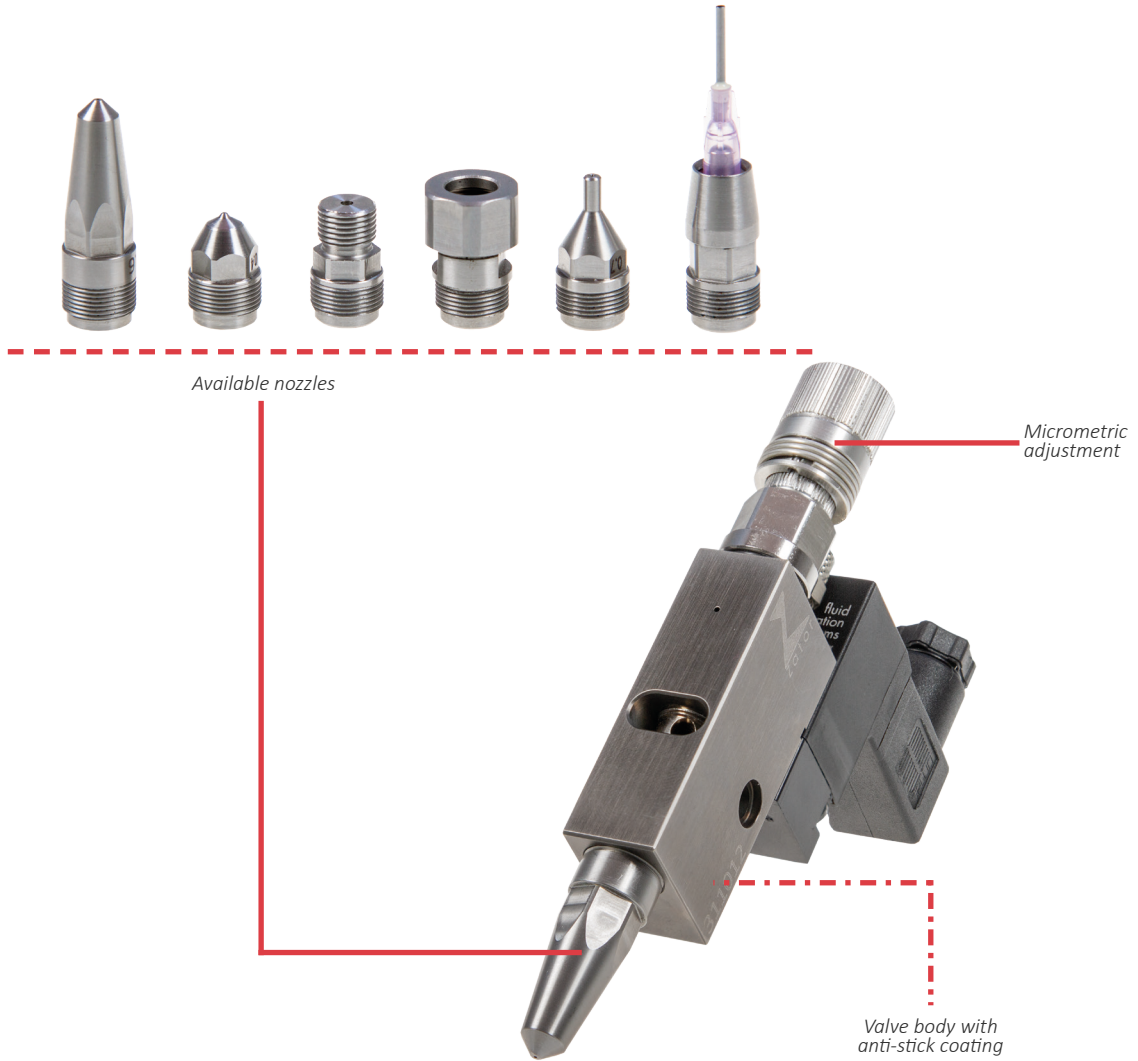
Available nozzle diameters	from 0,3 to 1,5 mm
Air pressure control	min. 6 bar
Drive type	simple action
Maximum working pressure	30 bar
Maximum working frequency	40 dots/sec.
Coil	24 Volt
Weight	230 g



*Dots and lines*



ELECTROPNEUMATIC VALVE MZD100



FULL STAINLESS STEEL  
VALVE AVAILABLE  
ON REQUEST



# MODELS

code	description	€
ZD01C02XX0	Extrusion valve MZD1XXLV 24 Volt	

*Replace XX value with nozzle diameter desired  
Available nozzle diameters from 0,3 to 1,5 mm*



code	description	€
ZD02C02XX0	Extrusion valve MZD1XXKV 24 Volt	

*Replace XX value with nozzle diameter desired  
Available nozzle diameters from 0,3 to 1,5 mm*



code	description	€
ZD07C02018	Extrusion valve MZD10018 24 Volt	



code	description	€
ZD06C02001	Extrusion valve MZD100MG 24 Volt	



code	description	€
ZD04C02XX0	Extrusion valve MZD1XXKL 10 mm 24 Volt	

ZD05C02XX0	Extrusion valve MZD1XXKL 7 mm 24 Volt	
------------	--	--

*Replace XX value with nozzle diameter desired  
Available nozzle diameters from 0,5 to 1,5 mm*



code	description	€
ZD09C02005	Extrusion valve MZD100SY 24 Volt	



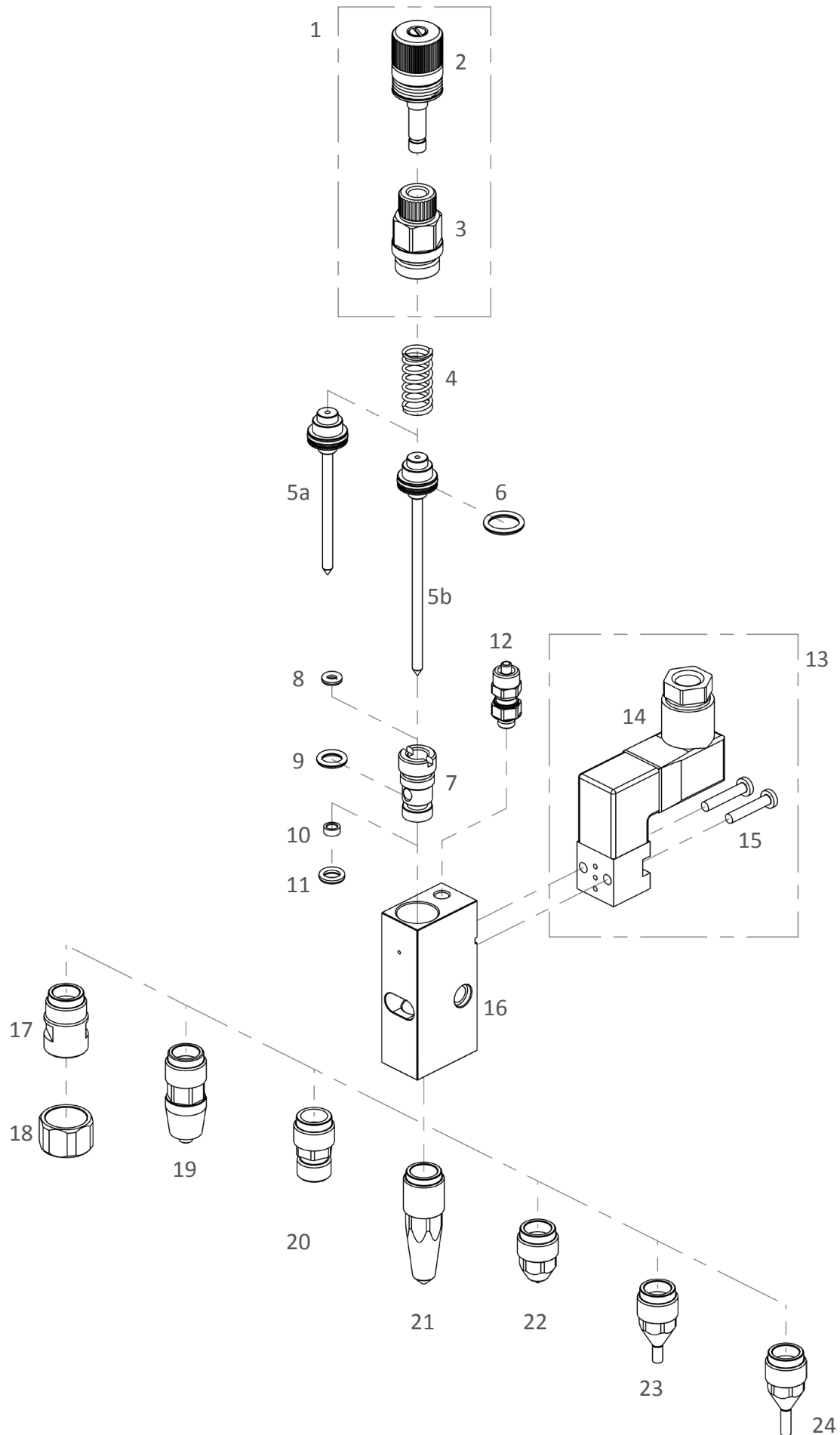


# PARTS LIST

pos.	code	q.ty	description
1	MCR000022	1	Micrometric adjustment complete
2	MCR000030	1	Micrometric adjustment knob
3	C32500009	1	Micrometric adjustment block
4	CCS000350	1	Spring
5a	H84170500	1	Needle KV
5b	H84170600	1	Needle LV
6	RNG000011E	1	O-ring <sup>1</sup>
7	H83100104	1	Lock bush
8	RNG000006E	1	O-ring <sup>1</sup>
9	RNG000010E	1	O-ring <sup>1</sup>
10	SHS30790T	1	Gasket <sup>1</sup>
11	RNG000008E	1	O-ring <sup>1</sup>
12	RRAB0252	1	Air fitting
13	ELT000321	1	Solenoid valve complete 24VDC
14	CNN200F01	1	Solenoid valve connector
15	SC11030161	2	Solenoid valve screw
16	C31400011	1	Valve body
17	H85800101	1	Nozzle MG
18	H85800204	1	Nozzle MG nut
19	H85100150	1	Nozzle Syrin
20	H85100180	1	Nozzle 1/8"
21	H853100XX	1	Nozzle LV
22	H855100XX	1	Nozzle KV
<i>Replace XX value with nozzle diameter desired Available nozzle diameters from 0,3 to 1,5 mm</i>			
23	H855101XX	1	Nozzle KL 7 mm
24	H855102XX	1	Nozzle KL 10 mm
<i>Replace XX value with nozzle diameter desired Available nozzle diameters from 0,5 to 1,5 mm</i>			
	KGN000350	1	Gasket kit <sup>1</sup>



# ELECTROPNEUMATIC VALVE MZD100

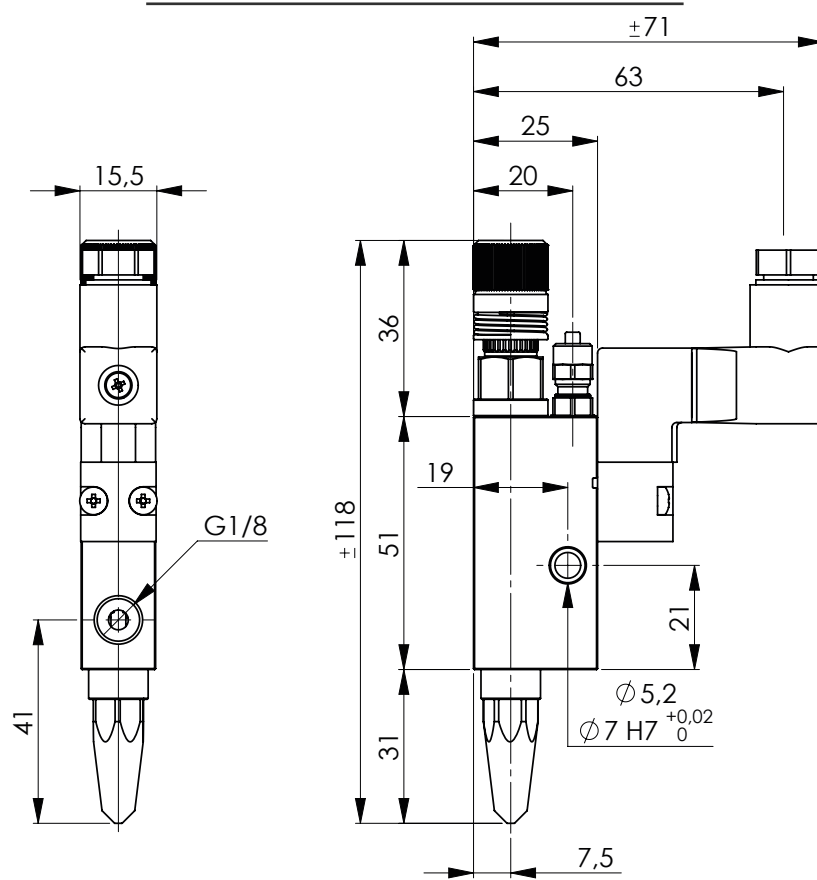


The images in this document are considered for illustration only. The company reserves the right for any changes without notice. Names, trademarks and logos are property of the author. All dimension are in millimetres.

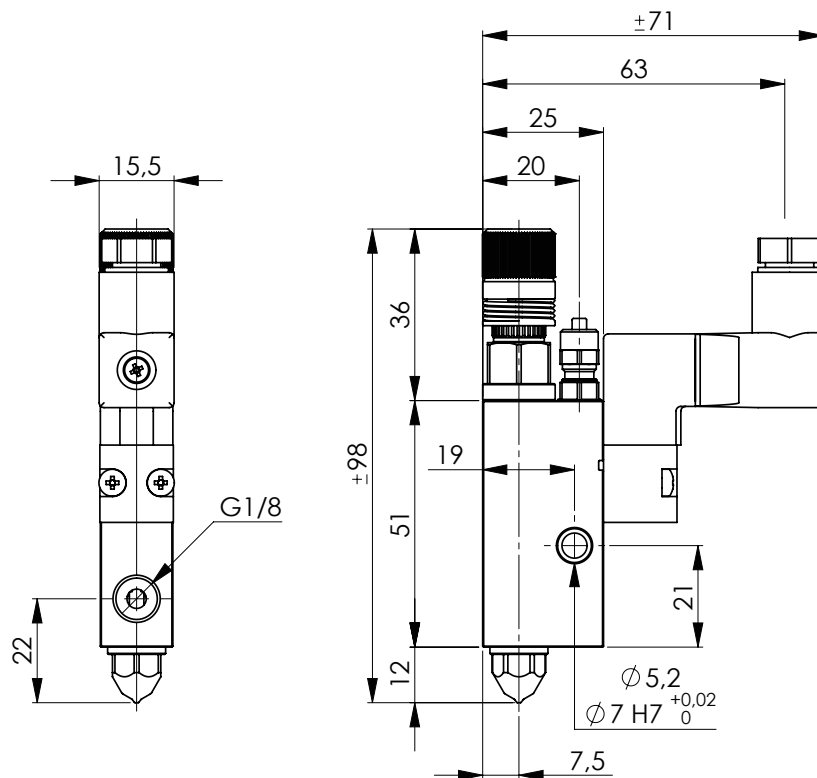


# DIMENSIONS

## MZD1XXLV

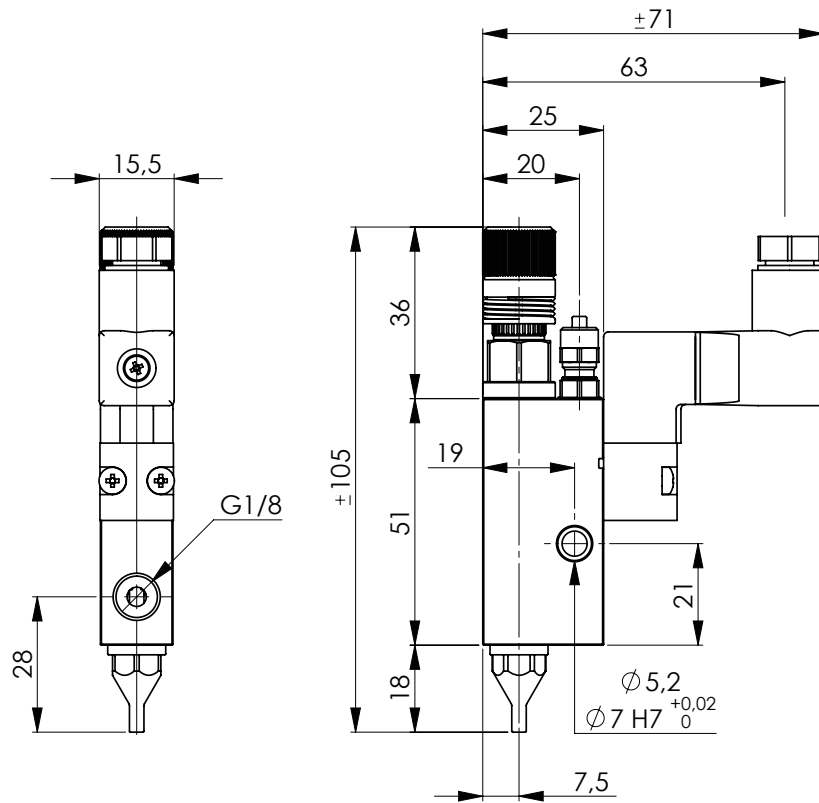


## MZD1XXKV

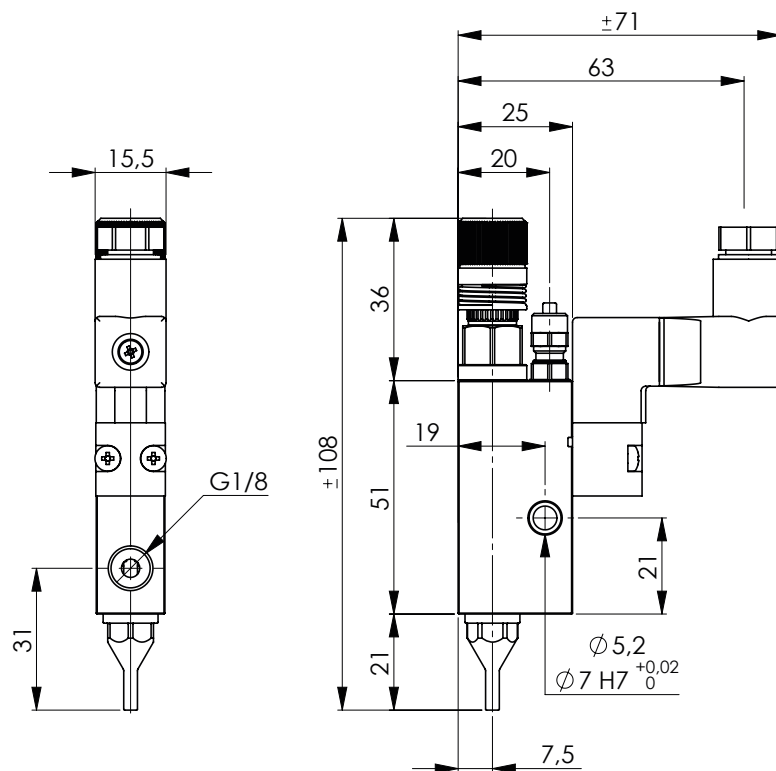




### MZD1XXKL 7 mm



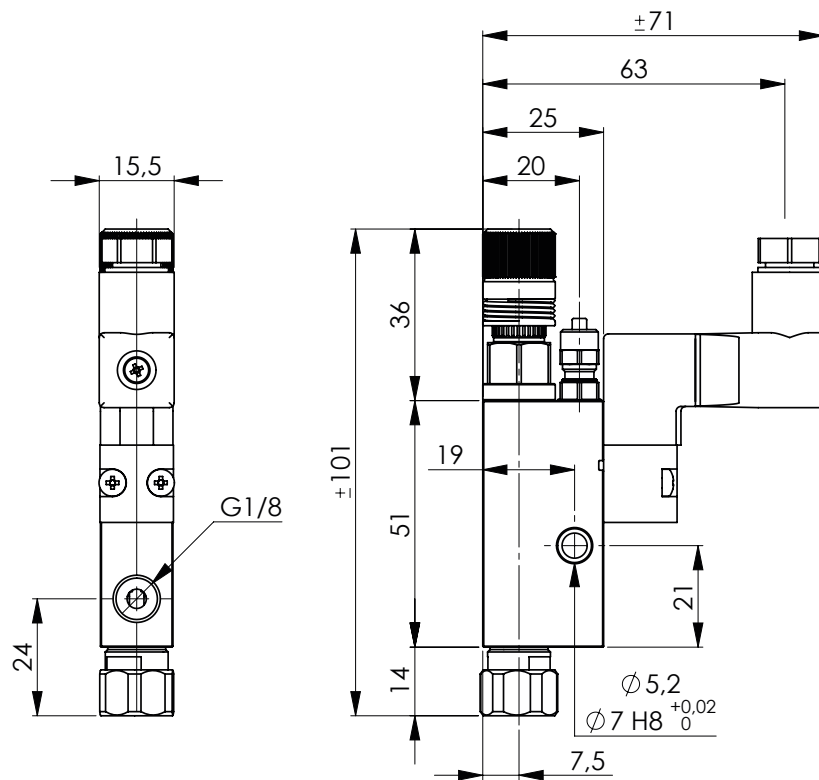
### MZD1XXKL 10 mm



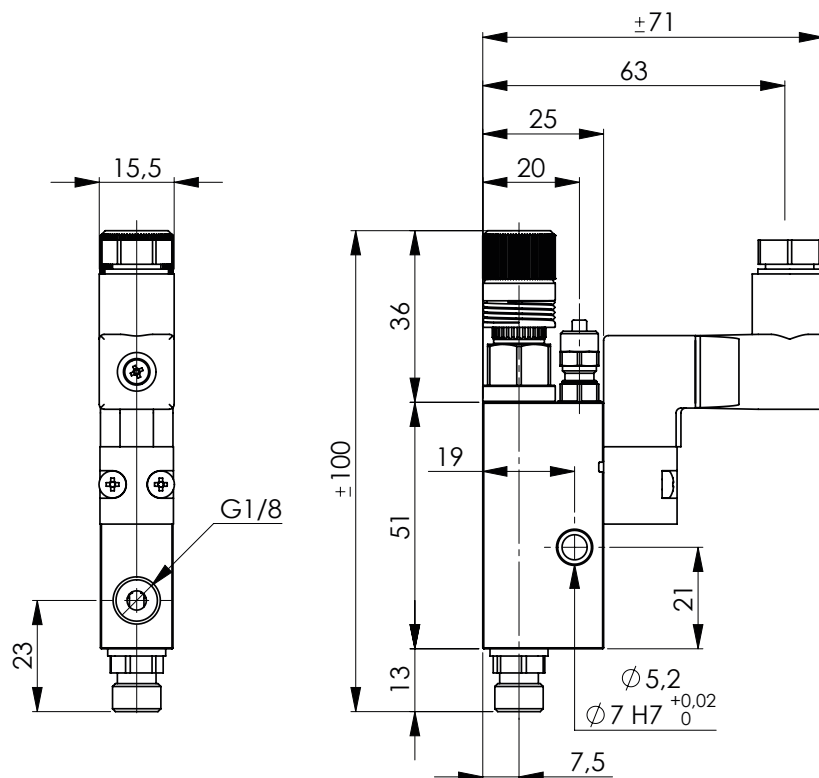




### MZD100MG

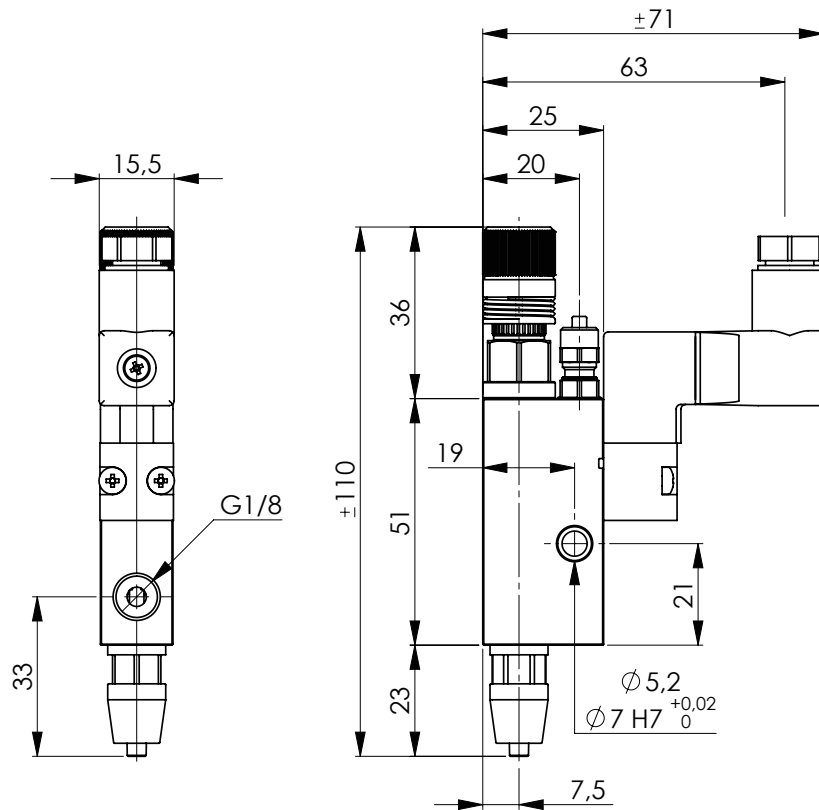


### MZD10018





# MZD100SY



## ZATOR SRL

Via Galvani, 11  
20095 Cusano Milanino (MI)  
Italy

Tel. +39 02 66403235  
Fax +39 02 66403215

[info@zator.it](mailto:info@zator.it)  
[www.zator.it](http://www.zator.it)



The data and values expressed in the manual are approximate and variable depending on fluids, applications and methods of use.

Datasheet  
MZD100\_v02

MAY 2023

